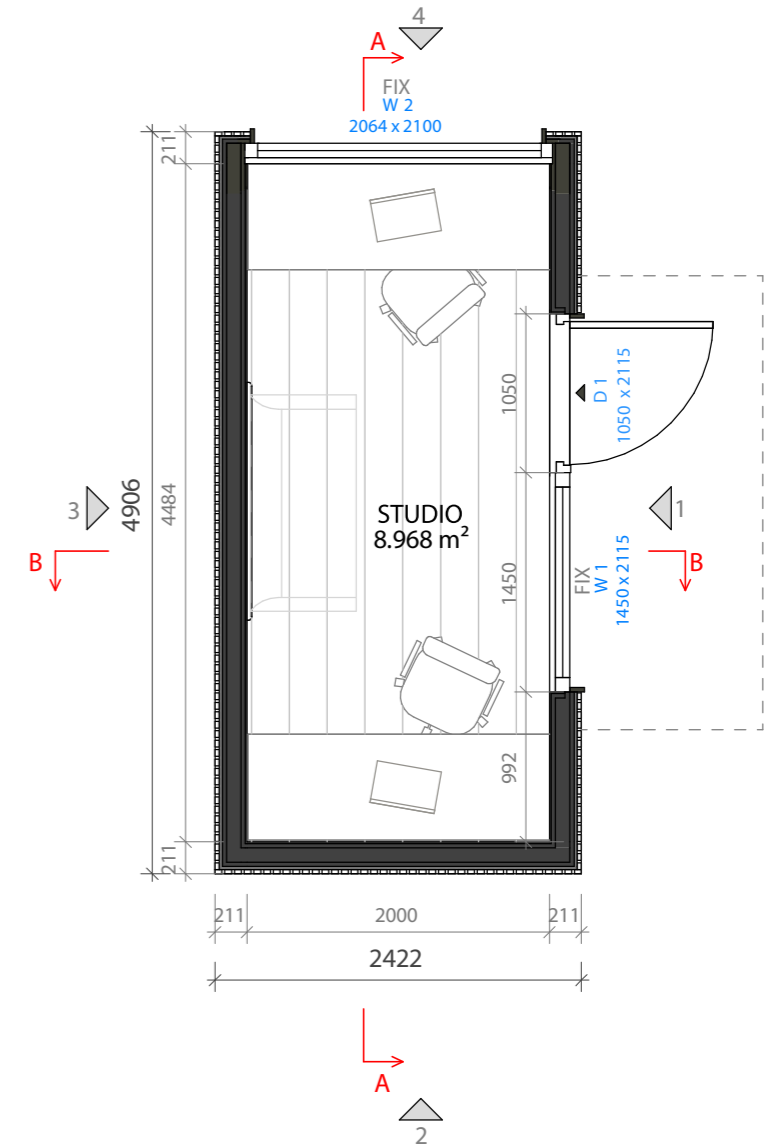
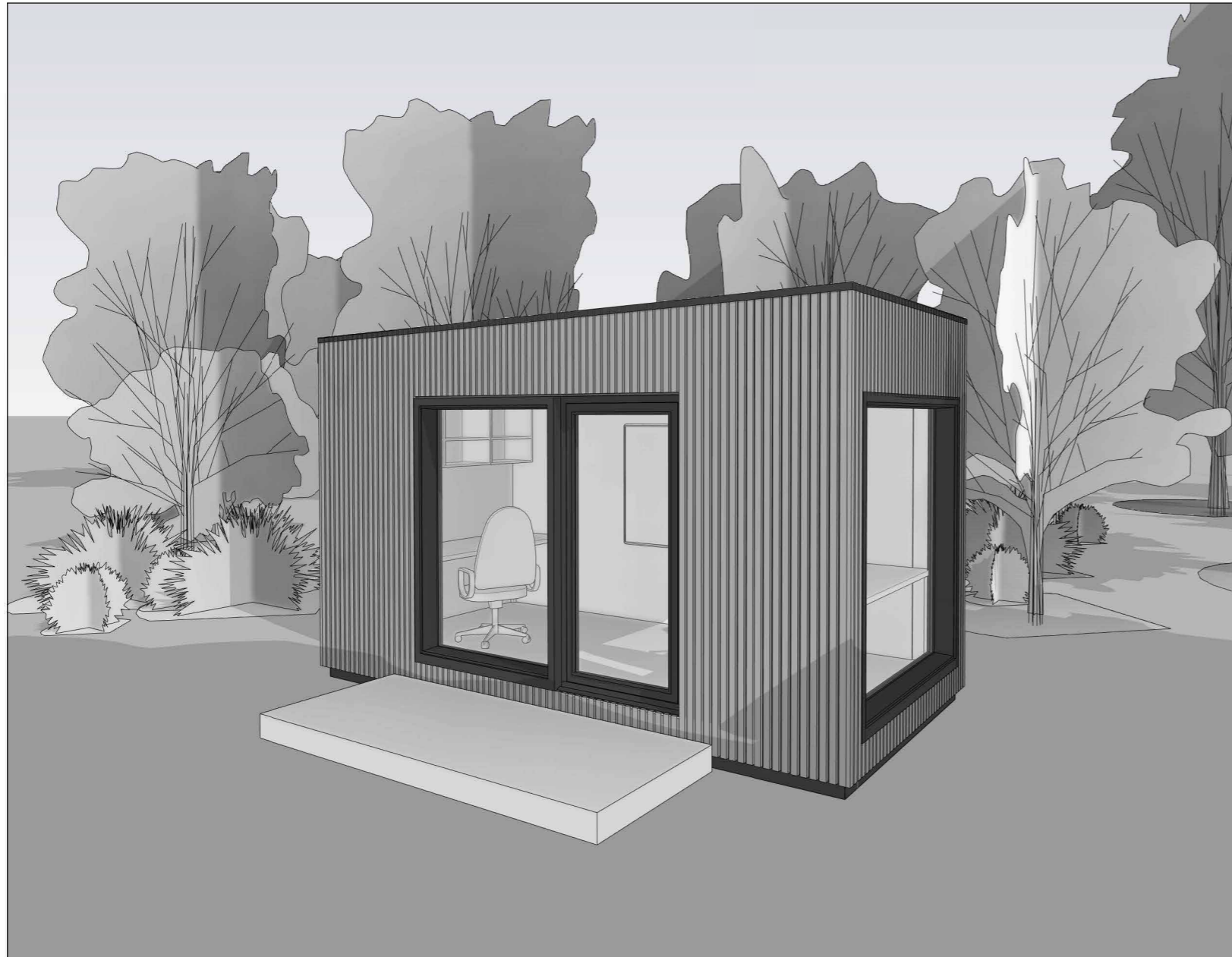


PROJECT

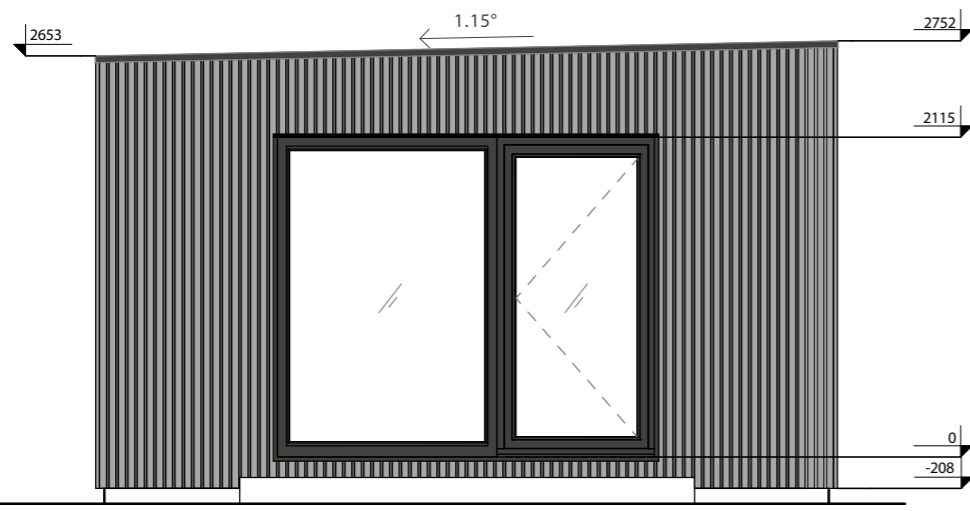
MULTI-FUNCTIONAL STUDIO



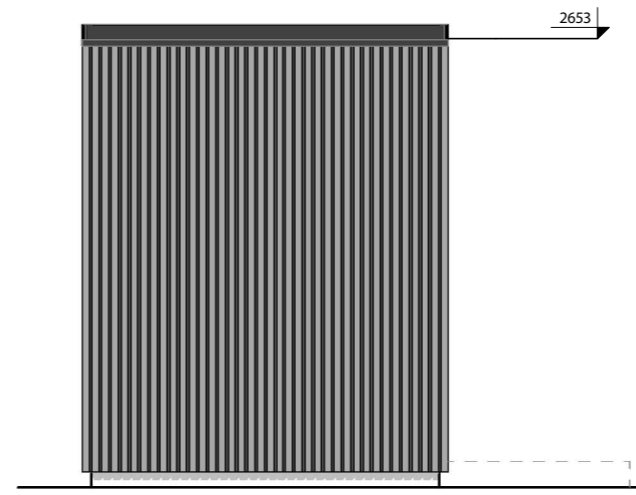
FLOOR PLAN

1:50

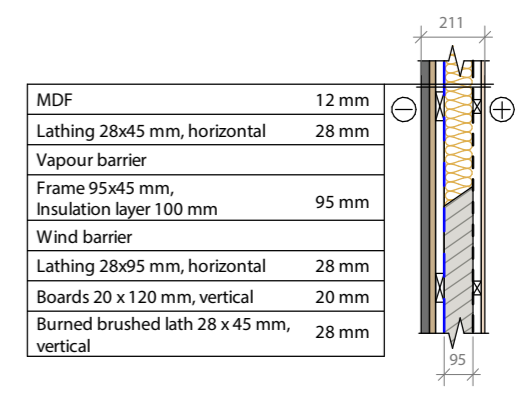
OBJECT	MULTI-FUNCTIONAL STUDIO					
ADDRESS					SHEET	SHEET
CLIENT						
APPROVED BY				MULTI-FUNCTIONAL STUDIO ARCHITECTURE	SCALE	1:50 (A3)
ARCHITECT						
DRAWN BY			15-10-2020			



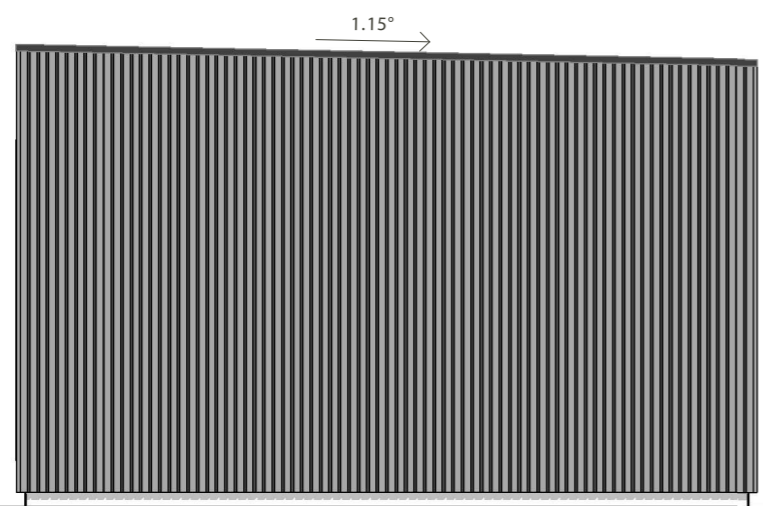
ELEVATION 1 1:50



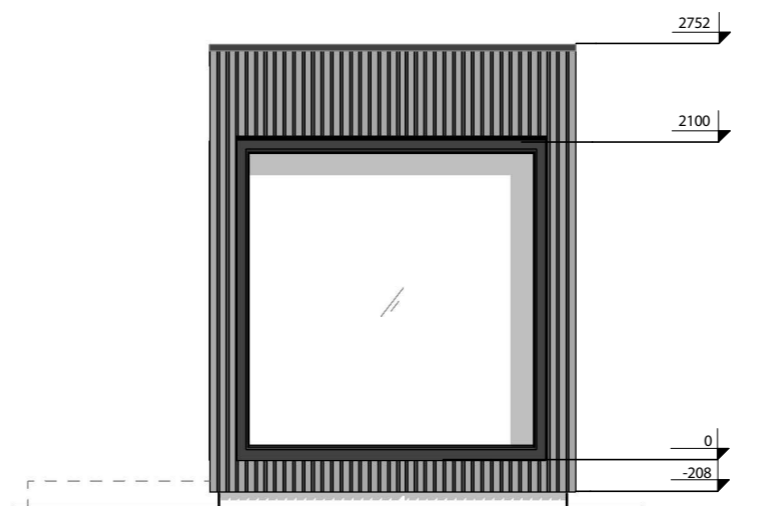
ELEVATION 2 1:50



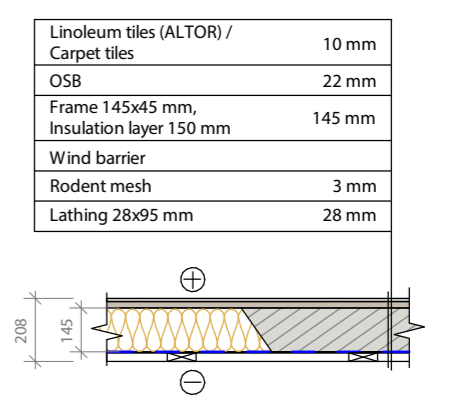
EXTERNAL WALL 1:25



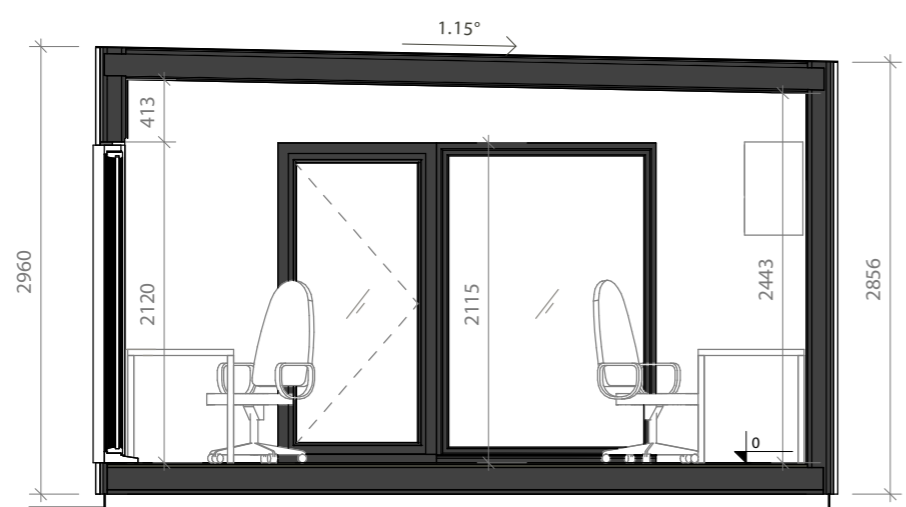
ELEVATION 3 1:50



ELEVATION 4 1:50



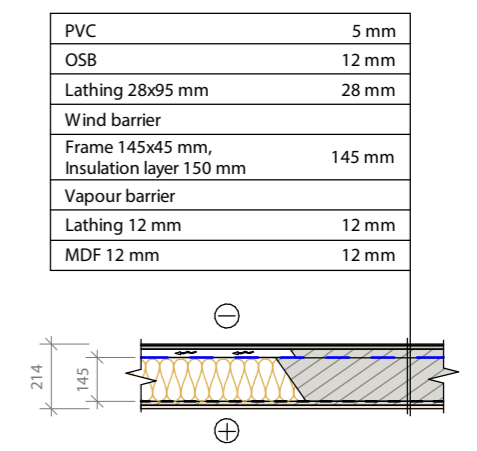
FLOOR 1:25



SECTION A - A 1:50

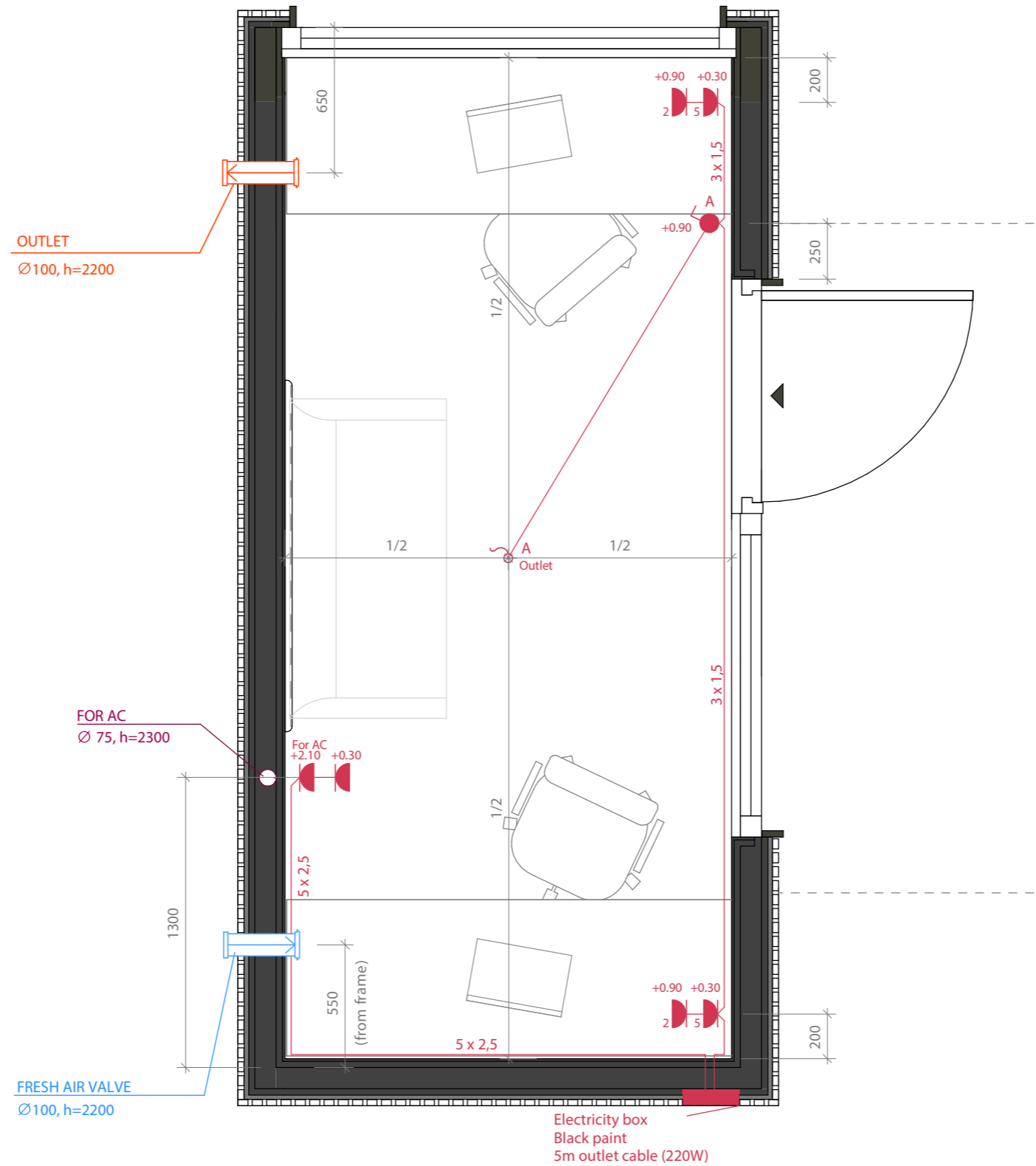



SECTION B - B 1:50



ROOF 1:25

OBJECT	MULTI-FUNCTIONAL STUDIO				
ADDRESS				SHEET	SHEET
CLIENT					
APPROVED BY				SCALE	(A3)
ARCHITECT					
DRAWN BY			15-10-2020		



OBJECT	MULTI-FUNCTIONAL STUDIO				
ADDRESS				SHEET	SHEET
CLIENT					
APPROVED BY				SCALE	1:25 (A3)
ARCHITECT				<p>MULTI-FUNCTIONAL STUDIO COMMUNICATIONS</p> 	
DRAWN BY			15-10-2020		