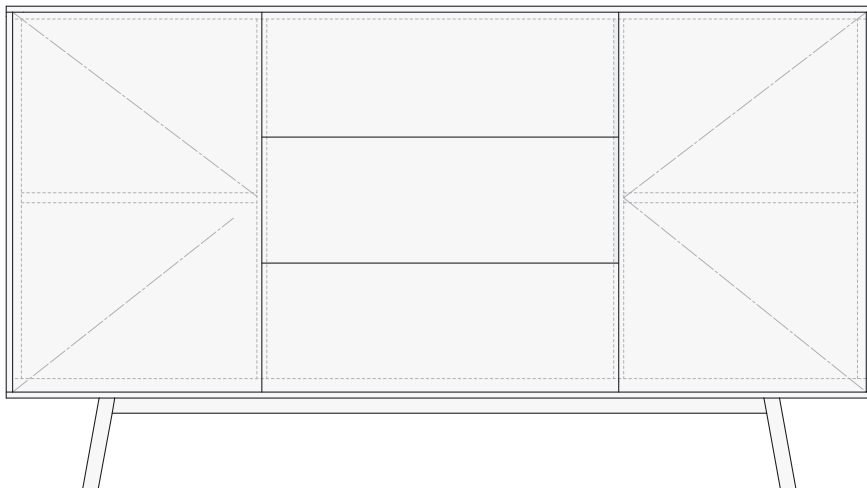
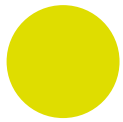


CONTEMPO

INSTALLATION INSTRUCTION



DESIGNATIONS



Hinges adjustment



Drawers adjustment



Folding facades adjustment



Lift-up facades adjustment

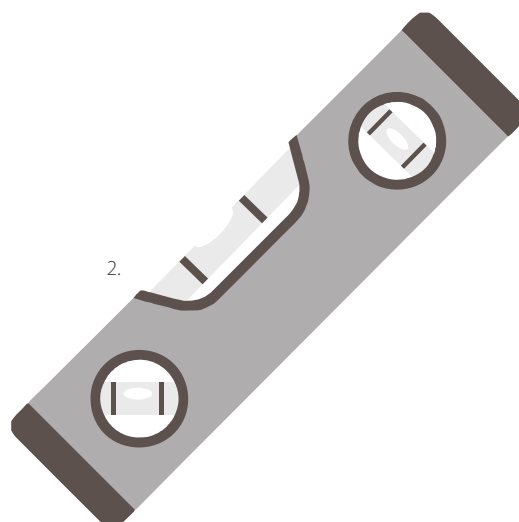
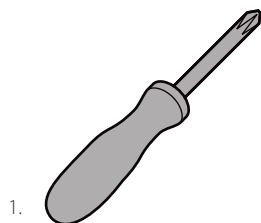


Metal legs adjustment

NECESSARY FOR INSTALLATION

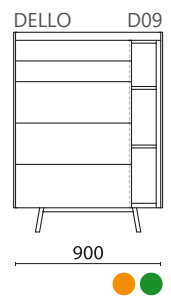
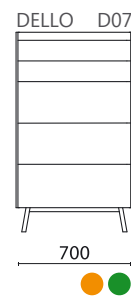
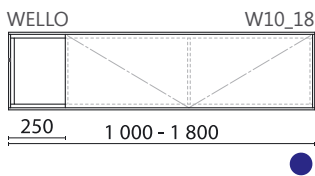
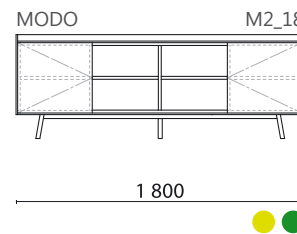
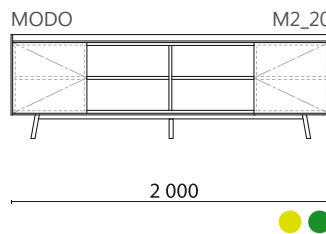
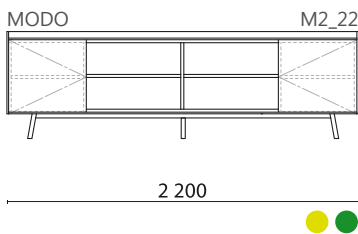
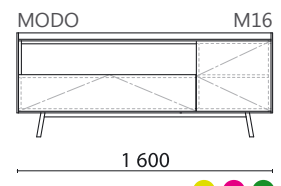
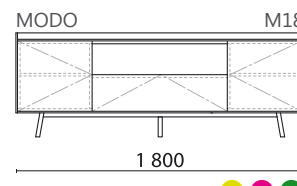
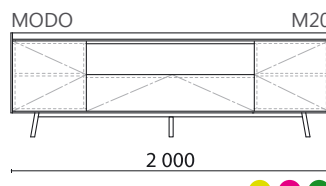
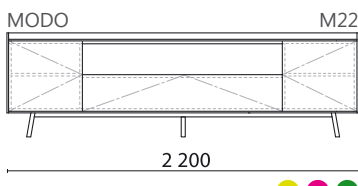
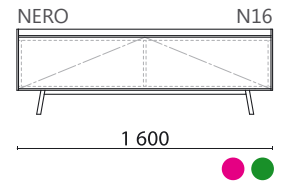
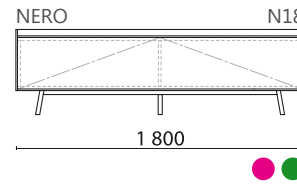
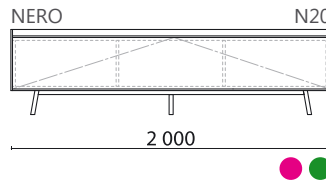
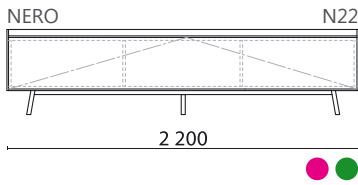
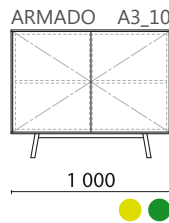
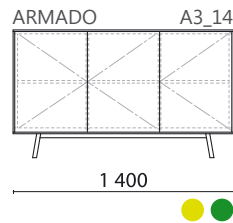
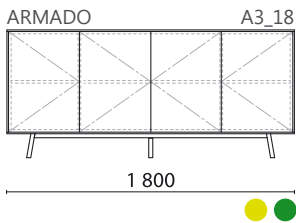
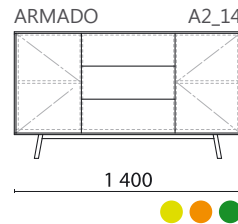
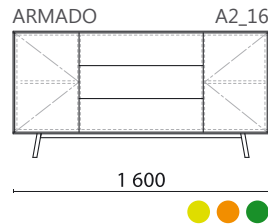
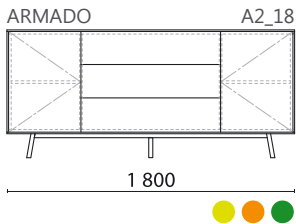
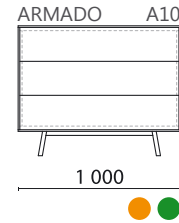
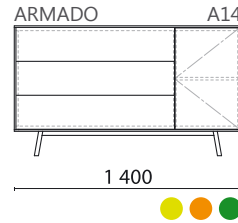
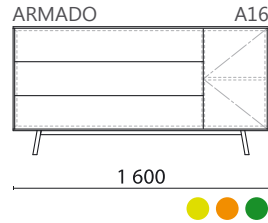
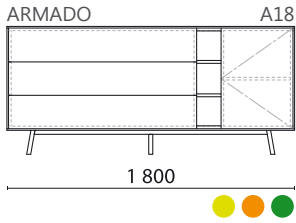
1. Cross screwdriver PZ 2

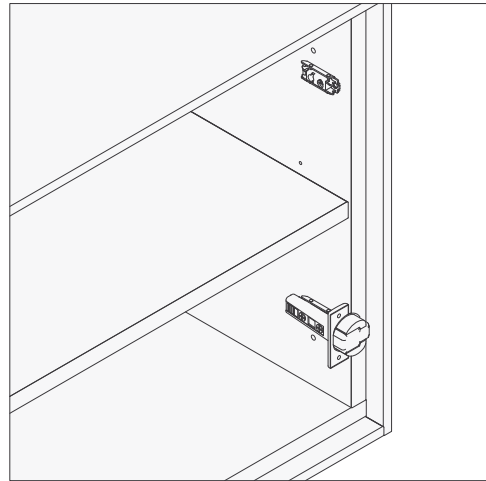
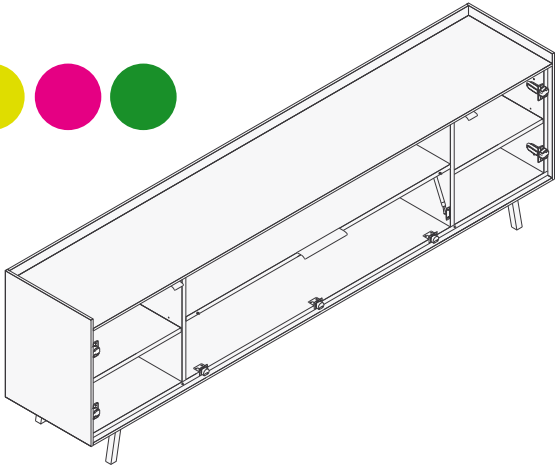
2. Bubble level



HOME FURNITURE SERIES

- Hinges adjustment
- Drawers adjustment
- Folding facades adjustment
- Lift-up facades adjustment
- Metal legs adjustment

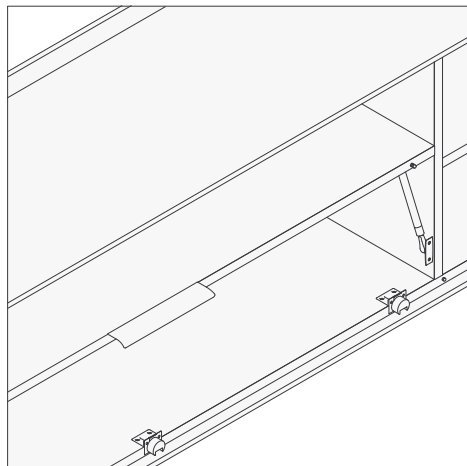
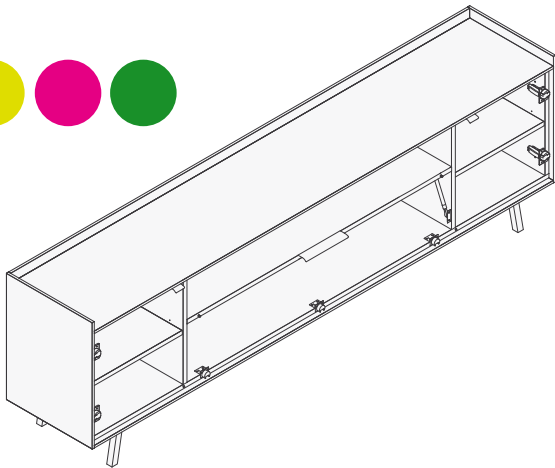
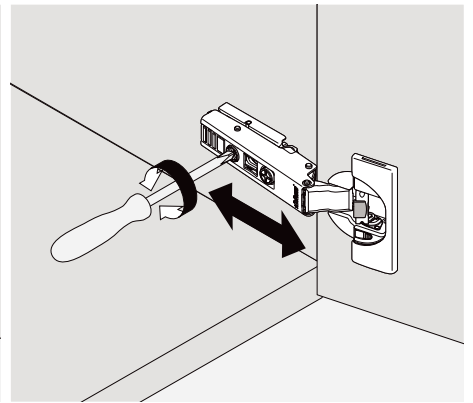
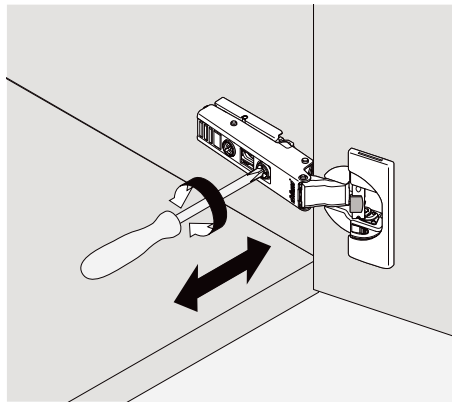
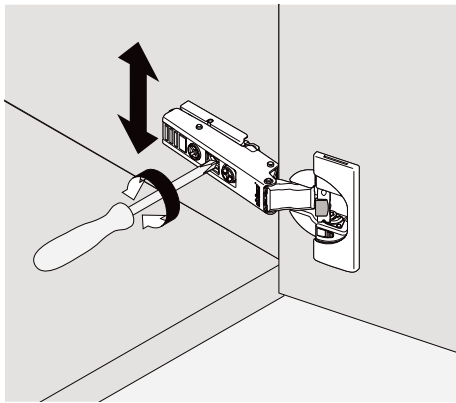




Height adjustment.

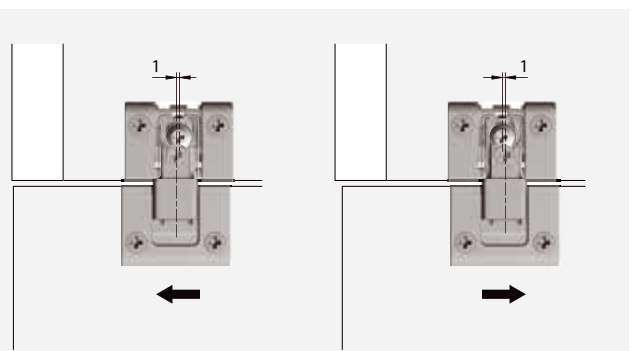
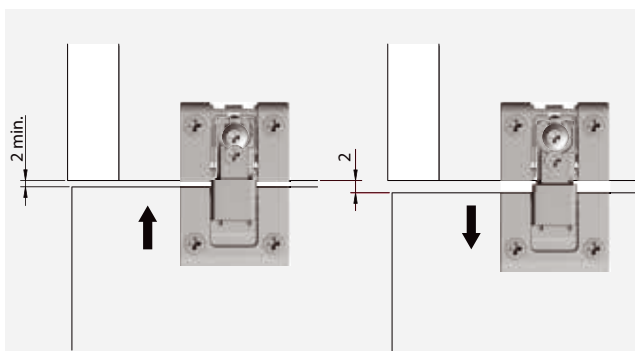
Side adjustment.

Depth adjustment.



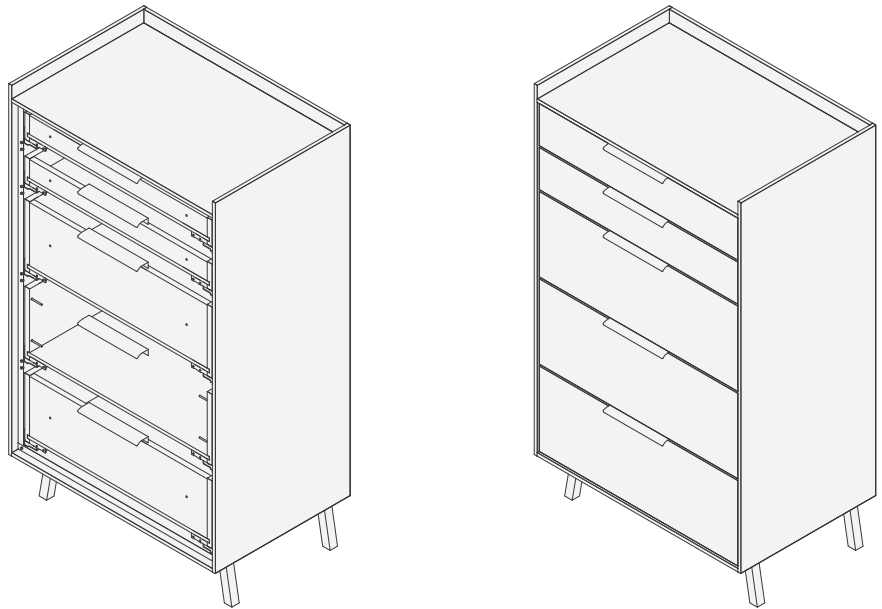
Depth adjustment 0+2 mm.

Side adjustment 0±1 mm.

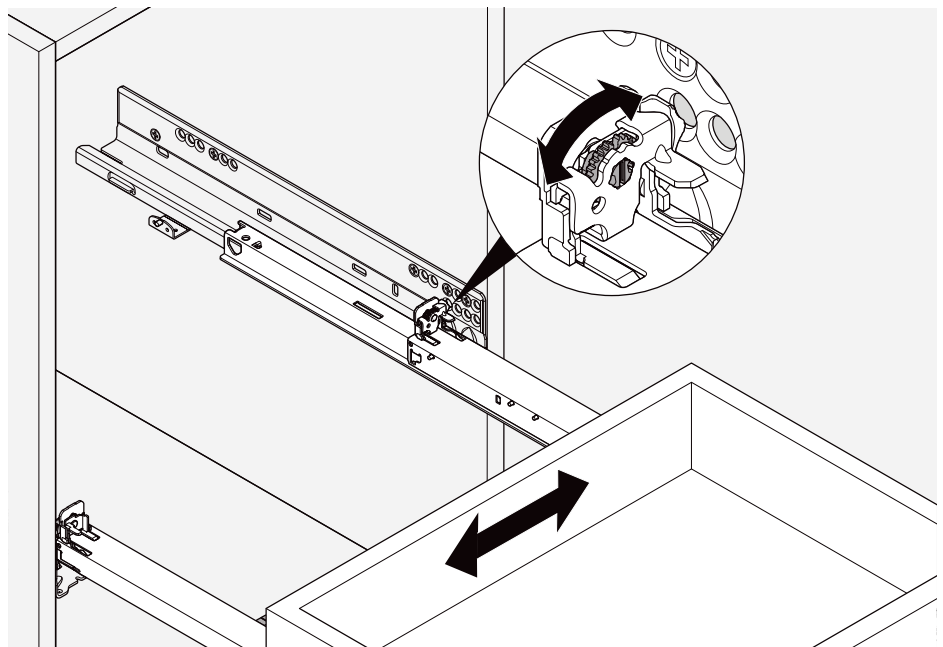
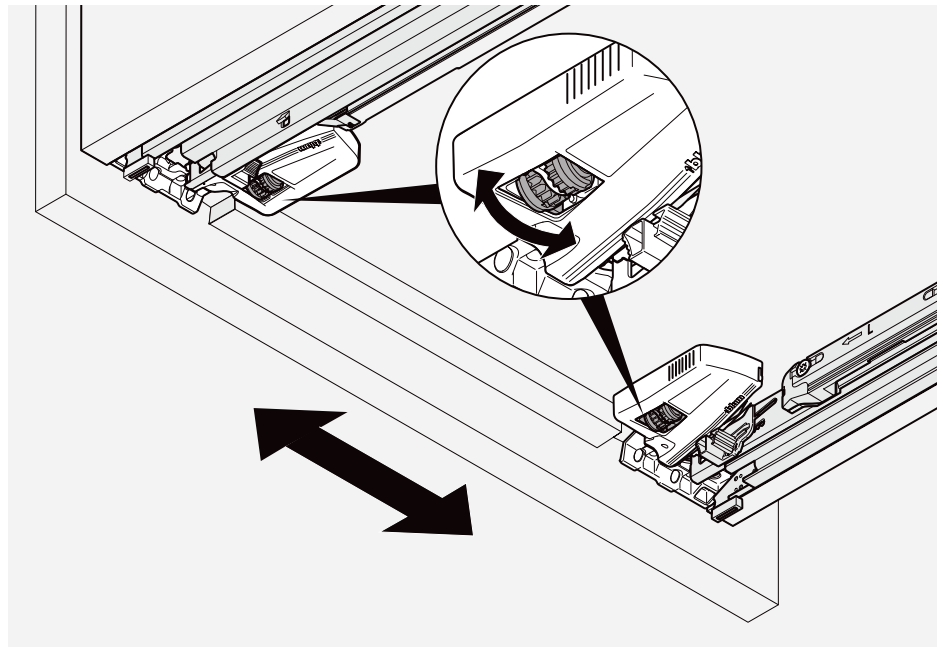
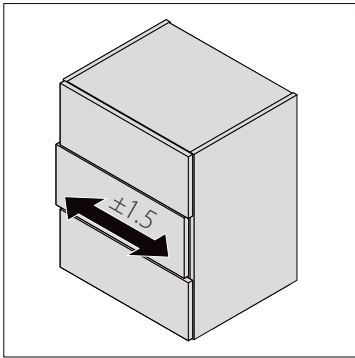




- Drawers adjustment
- Metal legs adjustment

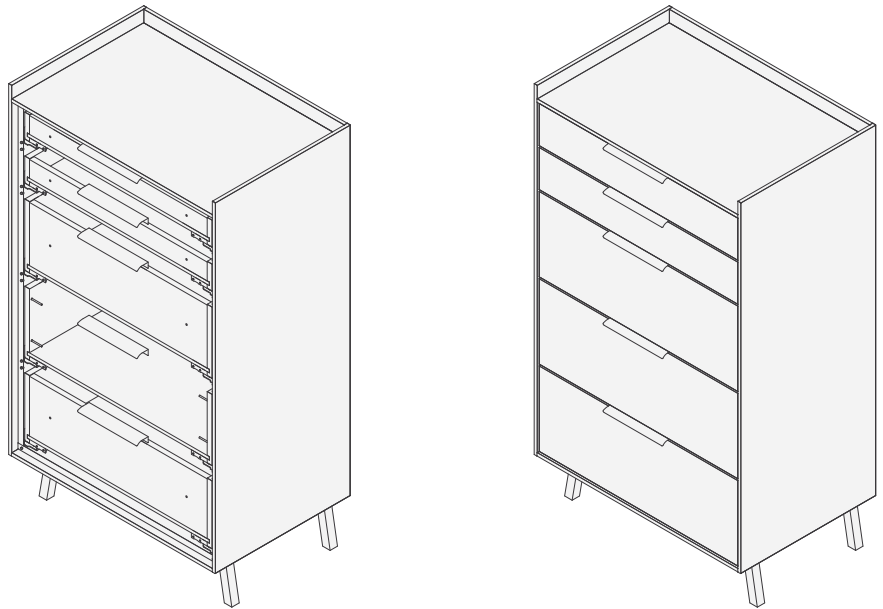


Side adjustment.

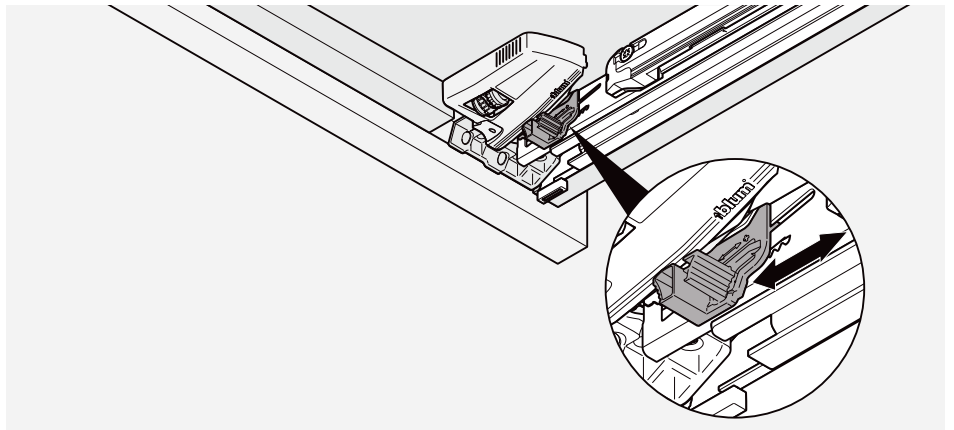
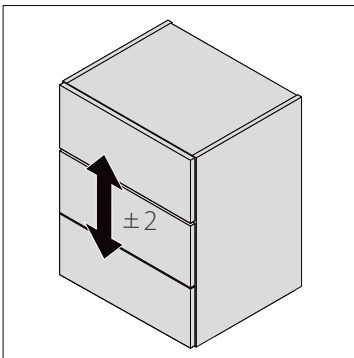




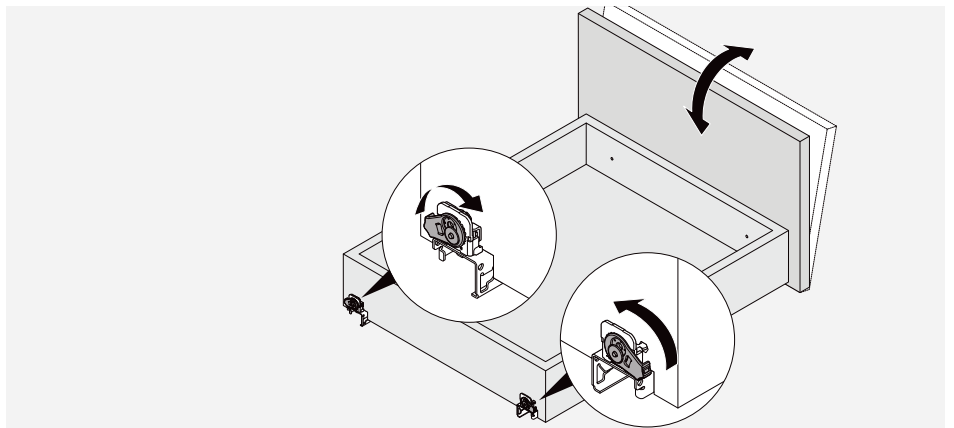
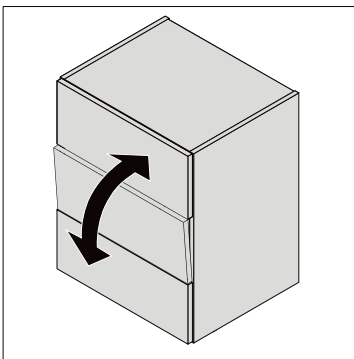
- Drawers adjustment
- Metal legs adjustment



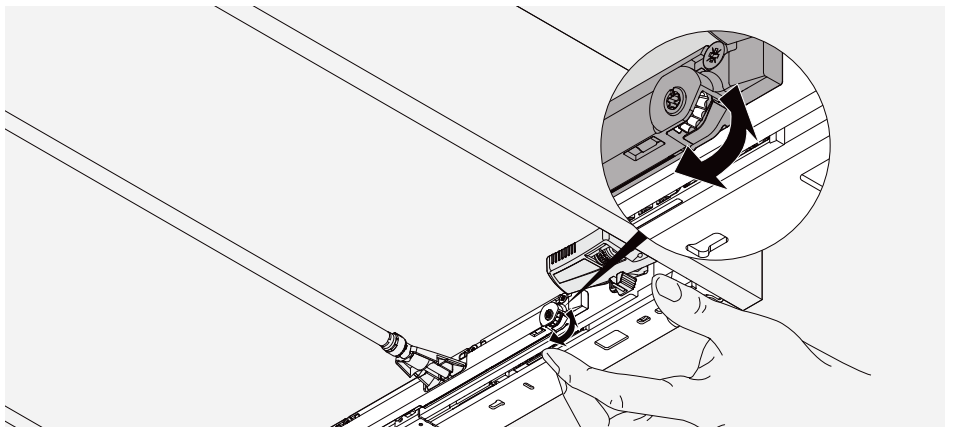
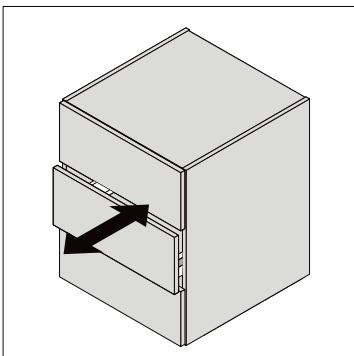
Height adjustment.

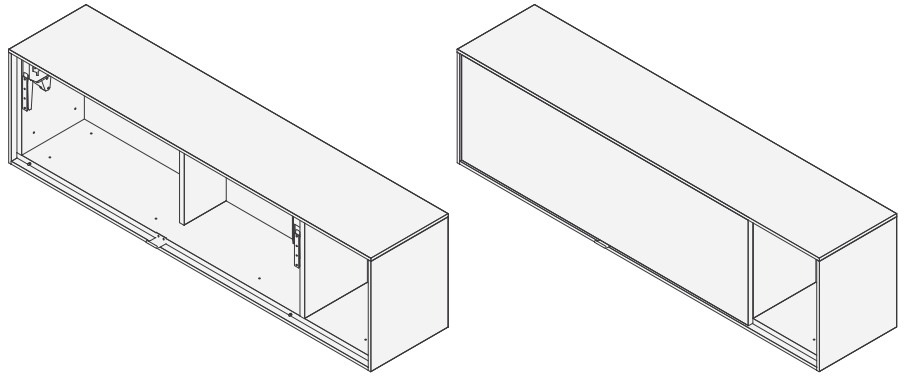


Facade tilt adjustment.

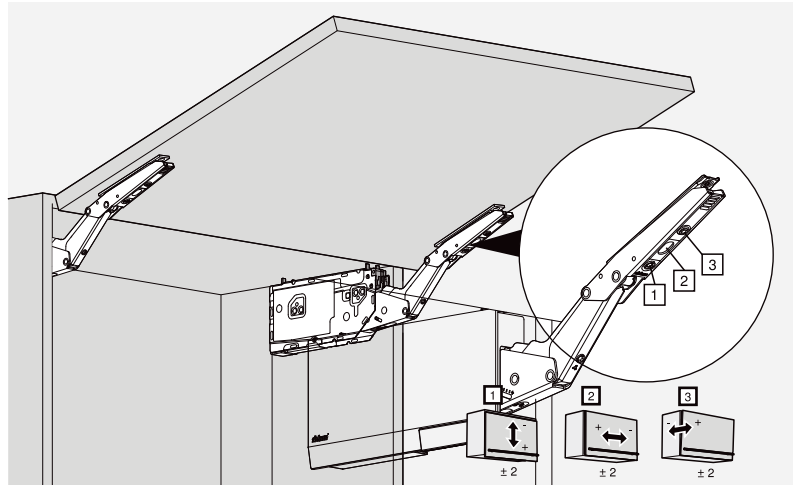
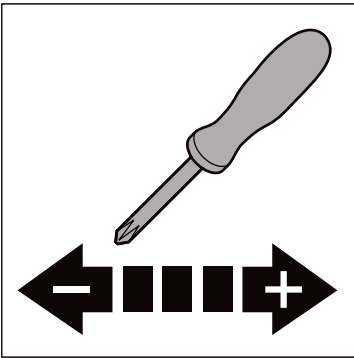


Depth adjustment.

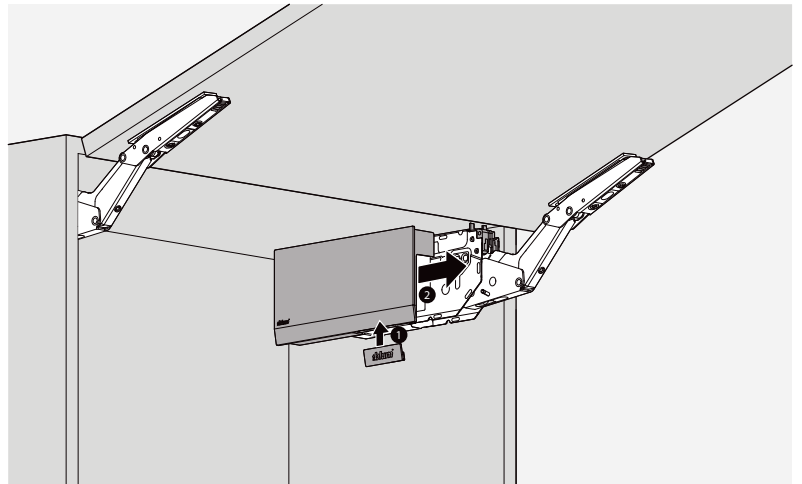
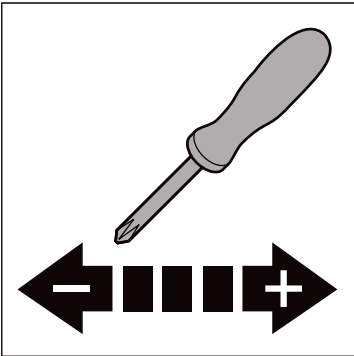




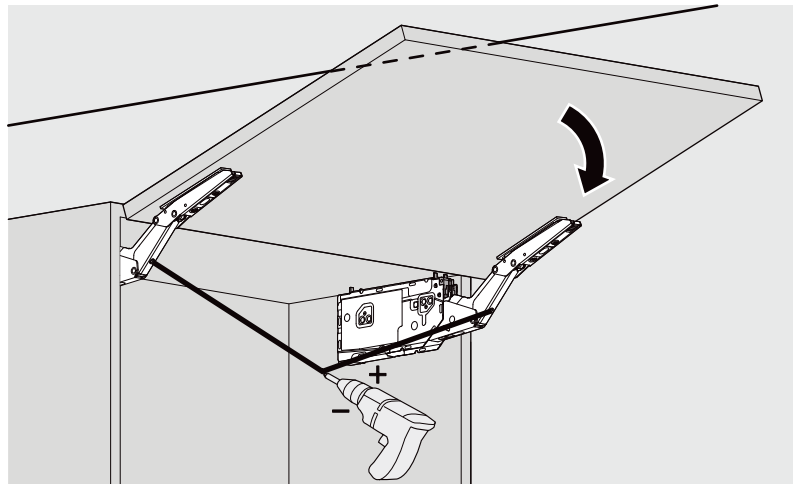
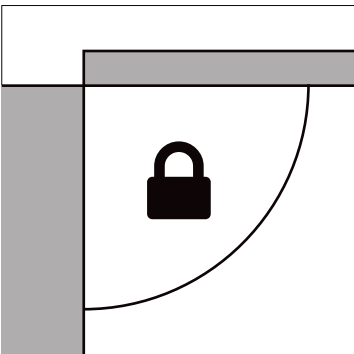
Height adjustment.



Height adjustment.



Position locking.



ADJUSTABLE LEGS

